

Use this form to register a trailer over 4.5 tonnes ATM without a NSW inspection.
Submit this form to Service NSW when you attend to establish registration.

1. Manufacturer / Dealer / Distributor

Entity name:	Phone number:
Address:	Email:
	Australian Company Number (ACN)
Contact person:	<input type="text"/> <input type="text"/> <input type="text"/> <input type="text"/> <input type="text"/> <input type="text"/> <input type="text"/> <input type="text"/> <input type="text"/>

2. Vehicle details

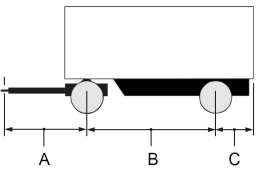
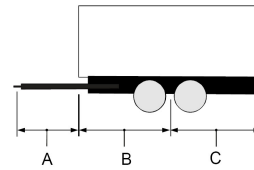
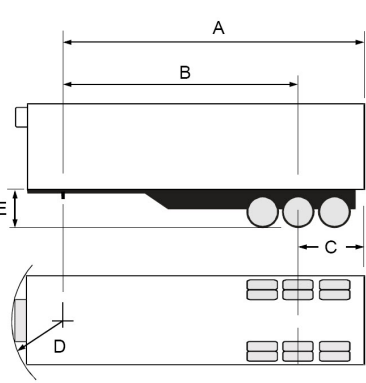
Make:	Model:
Description or shape:	Date of manufacture: month / year
VIN / chassis number (to be used with identical vehicles)	
1. <input type="text"/>	Colour: <input type="text"/> <input type="checkbox"/> Vehicle on the RAV
2. <input type="text"/>	Colour: <input type="text"/> <input type="checkbox"/>
3. <input type="text"/>	Colour: <input type="text"/> <input type="checkbox"/>
4. <input type="text"/>	Colour: <input type="text"/> <input type="checkbox"/>
5. <input type="text"/>	Colour: <input type="text"/> <input type="checkbox"/>
6. <input type="text"/>	Colour: <input type="text"/> <input type="checkbox"/>
7. <input type="text"/>	Colour: <input type="text"/> <input type="checkbox"/>
8. <input type="text"/>	Colour: <input type="text"/> <input type="checkbox"/>
Vehicle type approval number:	TARE weight: ATM / GVM:
Axle code (if known): <small>Please see description of heavy vehicle / trailer form for a list of axle codes.</small>	Brake type:

3. Overall dimension details

The legal limits for vehicle dimensions are found at nhvr.gov.au

Overall length:	Overall height:	Overall width: <small>(excluding mirrors and signalling devices)</small>	Rear overhang:
-----------------	-----------------	---	----------------

4. Vehicle dimension details (tick applicable trailer type)

<input type="checkbox"/> Dog trailer  <input type="checkbox"/> Pig trailer  <input type="checkbox"/> Converter dolly trailer A. Drawbar length B2. Forward loading space B1. Wheelbase OR C. Rear overhang	<input type="checkbox"/> Semi trailer  A. Point of articulation to rear of trailer B. Point of articulation to foremost extremity of rear overhang (also known as 'S Dimension') C. Rear overhang D. Radius forward of trailer kingpin (includes any trailer fittings eg refrigeration unit) E. Deck height
--	--

5. Gross mass and axle loads (to be completed in every case)

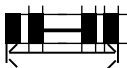
A) Complete trailer description for vehicles up to 11 axles (complete diagram below). If vehicle has more than 11 axles, show the following details on a separate sheet attached to this application.

(a) Write the number of tyres in circles

(b) Write the distance between axle centres (axle spacings).

	Axle 1	Axle 2	Axle 3	Axle 4	Axle 5	Axle 6	Axle 7	Axle 8	Axle 9	Axle 10	Axle 11
(a)	○	○	○	○	○	○	○	○	○	○	○
(b)											

B) For vehicles with up to 5 axle groups use table below. If the vehicle has more than 5 axle groups, show details on a separate sheet attached to this application.

	Group 1	Group 2	Group 3	Group 4	Group 5
Number of axles in the group					
Overall axle width (mm) 					
Tyre size and ply rating of narrowest tyre in axle group					
Load sharing axle group YES or NO					
Manufacturers maximum axle group ratings (tonnes)					
Manufacturers maximum suspension ratings (tonnes)					

Notes: **The manufacturers ratings are not to be exceeded.** Refer to ATM / GTM ratings on vehicle compliance plate or check with the manufacturer. The manufacturers axle and suspension ratings are not to be exceeded.

6. Allowable dimension and mass limits

Are the vehicles described within the allowable dimension and mass limits prescribed by National Heavy Vehicle Regulations?

Yes ► Go to Section 7 **or**

No ► Vehicle Standards Exemption will be required. If the trailer is part of an accepted PBS combination attach NHVR PBS approval and record document number in the space provided. In other cases attach the Certificate of Approved Operation and record the document number. Continue to Section 7.

PBS approval number:

Visit nhvr.gov.au for NHVR vehicle standards exemption requirements.

7. Declaration

In support of this certification I have completed the applicable parts and declare the vehicles described comply with Heavy Vehicle (Vehicle Standards) National Regulations. The information given in this form is complete, true and correct in every detail. I understand that failure to provide complete, true and correct information may result in the registration being not processed or refused.

Under the law, I understand it is an offence to register or attempt to register a vehicle by false or misleading statement, misrepresentation or other dishonest means.

Name of certifier

Certifier's signature (manufacturer/dealer/distributor)

Date

day / month / year

Personal Information Collection Notice

Transport for NSW is committed to protecting your privacy and ensuring your personal information is managed according to law.

Find out why we collect your personal information, including how we use and manage it, by reading our privacy statement at transport.nsw.gov.au/privacy-statement or phone 13 22 13 to request a copy.

Transport for NSW office use

If the certifier has ticked "No" at Section 6, attach copies of associated exemptions or permits to the application and record any approval numbers and relevant conditions on the registration certificate and related records.

Name (print)

Signature

Date

day / month / year